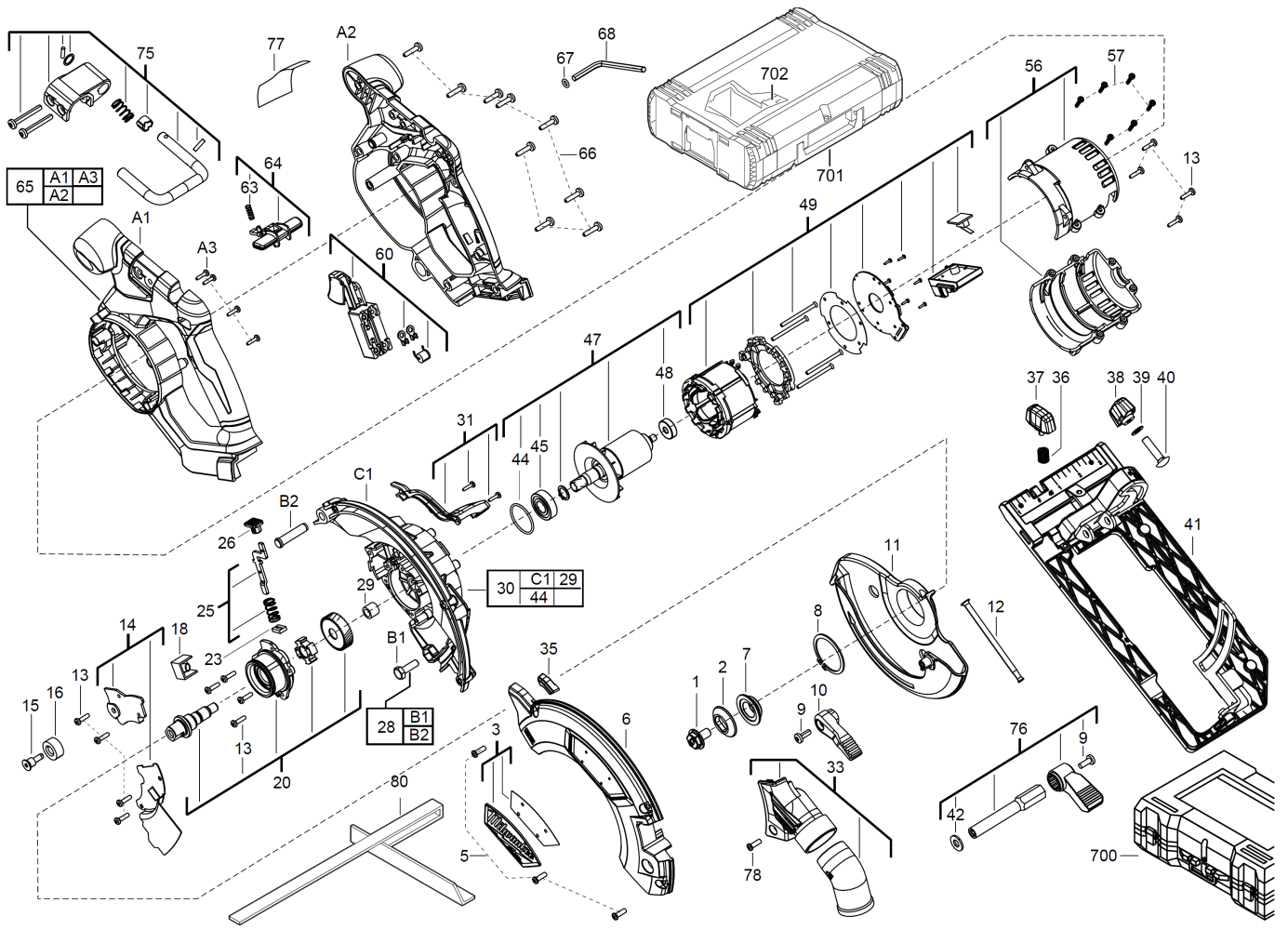


M18CCS55-0 BTY CIRCULAR SAW XXX

4933446223 - M18CCS55-0 - 4000446224





Position	Quantity	Description	Part number	EAN
0001	1	SCREW	06751010	4058546068653
0002	1	FLANGE	43340795	4058546073404
0003	1	NAME PLATE	4931436100	4002395880089
0005	3	SCREW	4931435150	4002395859948
0006	1	HOUSING	4931436101	4002395880096
0007	1	FLANGE	43340790	4058546073398
0008	1	THRUST COLLAR	34600860	4058546072247
0009	2	SCREW TORX SCREW	06825314	4002395851935
0010	1	LEVER	4931436102	4002395880706
0011	1	SAW PROTECTION	4931436103	4002395880713
0012	1	SPRING	40500045	4058546072674
0013	12	SCREW	06825285	4058546068844
0014	1	RETAINING PLATE	4931436104	4002395880720
0015	1	SCREW	45040485	4058546074258
0016	1	RUBBER BUFFER	4931465876	4058546239763
0018	1	LAMP	4931436106	4002395880744
0020	1	DRIVING SHAFT	4931436107	4002395880751
0023	1	FELT PACKING	45060720	4058546074364
0025	1	SPINDLE LOCK	4931436108	4002395880768
0026	1	PUSH-BUTTON	42421030	4058546073121
0028	1	BOLT	4931436109	4002395880775
0029	1	NEEDLE BEARING	4931435696	4002395864492
0030	1	SAW PROTECTION	4931448974	4002395258178
0031	1	FAN	4931436110	4002395880782
0033	1	ADAPTER	4931436111	4002395880799
0035	1	PLUG	5131000000	
0036	1	SPRING	40500650	4058546072742
0037	1	TRIGGER	4931436113	4002395881413
0038	1	TRIGGER	4931436114	4002395881420
0039	1	WASHER	45881560	4058546074845
0040	1	SCREW	4931436115	4002395881437
0041	1	PROTECTING SHOE	4931436116	4002395881444
0042	1	WASHER	45881545	4058546074821
0044	1	O-RING	4931436466	4002395251742
0045	1	BALL BEARING	4931436117	4002395172191
0047	1	ARMATURE	4931436118	4002395881451
0048	1	BALL BEARING	4931436119	4002395881475
0049	1	ELECTRIC FIELD	4931436120	4002395881482
0056	1	MOTOR HOUSING	4931436121	4002395881499
0057	6	SCREW	660570005	4002395827329
0060	1	SWITCH	4931436122	4002395878703
0063	1	SPRING WASHER	672029001	4002395848683
0064	1	PUSH-BUTTON	4931436123	4002395878710
0065	1	HOUSING	4931436124	4002395878727
0066	10	SCREW	06827470	4002395773367
0067	1	O-RING	34404480	4058546072193
0068	1	KEY	4931436125	4002395878734
0075	1	HOOK	4931436126	4002395878741
0076	1	LEVER	4931436127	4002395878758
0077	1	RATING PLATE	5131000000	

Position	Quantité	Désignation	Référence	EAN
0078	1	SCREW	660165011	4002395903702
0080	1	PARALLEL GUIDE	43300100	4002395872091
0700	1	CARRYING CASE	5131000000	
0701	1	HD Box 3 - 1pc	4932453386	4002395143634
0702	1	HD Box Insert 16-1pc	5131000000	